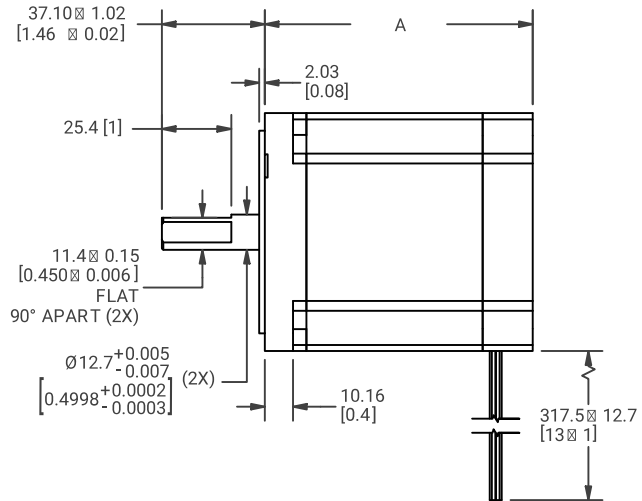
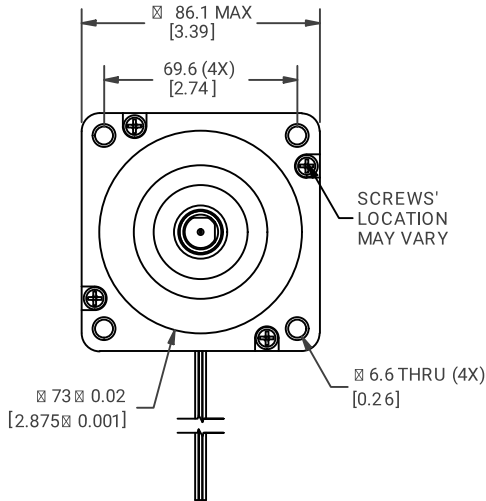


## MOTOR SPECIFICATIONS



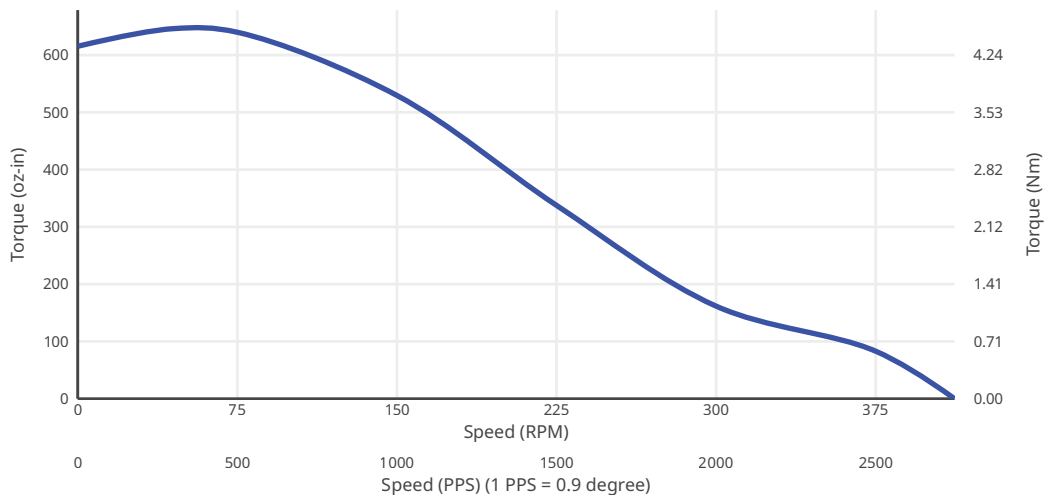
Part Number	WO-8718M-04P
Step Angle	1.8°
Frame Size	3.39 in (86 mm)
"A" Body Length	3.82in (97.0 mm)
Current (Amps/Phase)	2.8
Holding Torque	861 oz-in (6.1 N-m)
Resistance (Ohms/Phase)	1.7
Rotor Inertia	14.8 oz-in <sup>2</sup> (2707 g-cm <sup>2</sup> )
Number of Leads	4
Connection	Bipolar
Weight	5.94 lbs (2.7 kg)

## DIMENSIONS



## PERFORMANCE CURVE

8718M-04P  
 48 VDC, 2.8 AMP, 1/2 stepping



## OPERATING SPECIFICATIONS

Radial Play	0.001 in @ 1.00 lbs (0.03 mm @ 0.45 kg)
End Play	0.003 in @ 3.00 lbs (0.08 mm @ 1.36 kg)
Shaft Run Out	0.05 TIR (0.002 TIR)
Concentricity of Mounting Pilot to Shaft	0.08 TIR (0.003 TIR)
Perpendicularity of Mounting Pilot to Face	0.08 TIR (0.003 TIR)
Max Radial Load at Dimension "K" from mounting face	39.00 lbs (17.69 kg)
Dimension "K"	0.90 in (22.86 mm)
Max Axial Load	25.00 lbs (11.34 kg)
Maximum Case Temperature	176°F (80°C) Maximum
Ambient Temperature	-4 to 122°F (-20°C to 50°C)
Storage Temperature	-4 to 212°F (-20°C to 100°C)
Humidity Range (%)	85% or less, non-condensing
Magnet Wire Insulation	Class B 266°F (130°C)
Insulation Resistance	100M Ohm at 500 VCD
Dielectric Strength	900 VCD for 1 min.

## WIRING TABLE

COLOR	FUNCTION
Red	A+ Phase
Blue	A- Phase
Green	B + Phase
Black	B- Phase

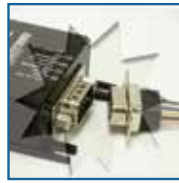
## OPERATION & USAGE TIPS



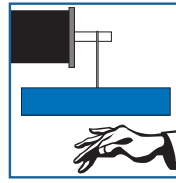
**Do not** disassemble motors; a significant reduction in motor performance will occur.



**Do not** machine shafts; this will have a negative effect on shaft run out and perpendicularity.



**Do not** disconnect motor from drive while in operation.



**Do not** use holding torque/detent torque of motor as a fail safe brake.



**Do not** hold motor by lead wires.



**Do not** exceed the rated current; this will burn the motor.

FAILURE TO COMPLY WITH THESE RECOMMENDATIONS WILL VOID ALL WARRANTY TERMS

## RECOMMENDED



Stepper Driver  
**R701P-RO**



Stepper Driver  
**R725-RO**

# Motion Control, Solved.

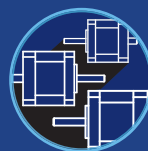
## MOTOR ENGINEERING & MANUFACTURING



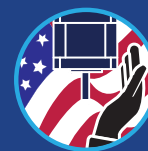
Optimized  
For Your  
Application



Quick  
Prototype  
Turnaround



Small Batch  
to OEM Volume  
Production



US Based  
Support &  
Manufacturing