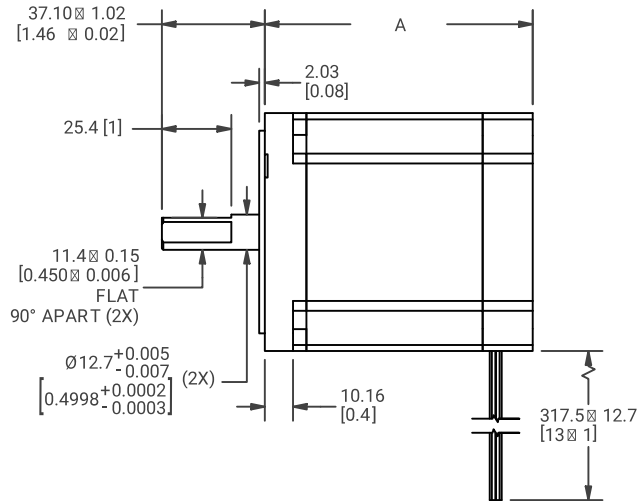
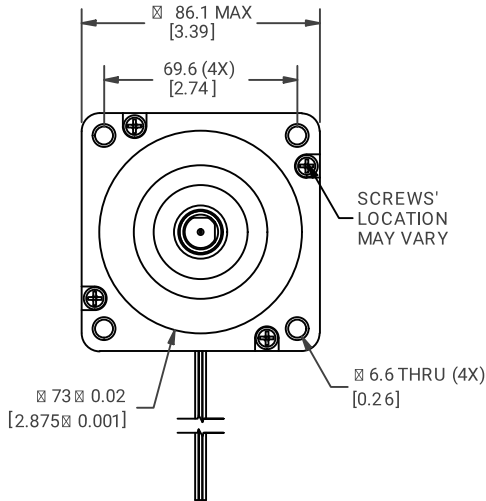


## MOTOR SPECIFICATIONS



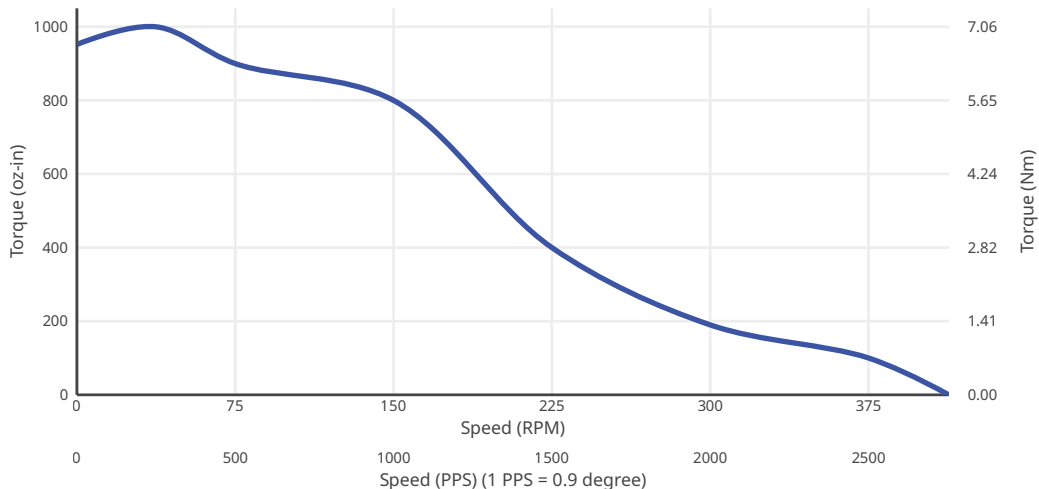
|                         |   |
|-------------------------|---|
| Part Number             | WO-8718L-08S                                      |
| Step Angle              | 1.8°  |
| Frame Size              | 3.39 in (86 mm)                                   |
| "A" Body Length         | 5.0 in (127.0 mm)                                 |
| Current (Amps/Phase)    | 3.85  |
| Holding Torque          | 1288.67 oz-in (9.1 N-m)                           |
| Resistance (Ohms/Phase) | 1.2   |
| Rotor Inertia           | 21.9 oz-in <sup>2</sup> (4005 g-cm <sup>2</sup> ) |
| Number of Leads         | 4   |
| Connection              | Bipolar   |
| Weight                  | 8.45 lbs (3.83 kg)                                |

## DIMENSIONS



## PERFORMANCE CURVE

8718L-08S  
 48 VDC, 3.85 AMP, 1/2 stepping



## OPERATING SPECIFICATIONS

|   |   |
|---|---|
| Radial Play   | 0.001 in @ 1.00 lbs (0.03 mm @ 0.45 kg) |
| End Play  | 0.003 in @ 3.00 lbs (0.08 mm @ 1.36 kg) |
| Shaft Run Out                                       | 0.05 TIR (0.002 TIR)                    |
| Concentricity of Mounting Pilot to Shaft            | 0.08 TIR (0.003 TIR)                    |
| Perpendicularity of Mounting Pilot to Face          | 0.08 TIR (0.003 TIR)                    |
| Max Radial Load at Dimension "K" from mounting face | 39.00 lbs (17.69 kg)                    |
| Dimension "K"                                       | 0.90 in (22.86 mm)                      |
| Max Axial Load                                      | 25.00 lbs (11.34 kg)                    |
| Maximum Case Temperature                            | 176°F (80°C) Maximum                    |
| Ambient Temperature                                 | -4 to 122°F (-20°C to 50°C)             |
| Storage Temperature                                 | -4 to 212°F (-20°C to 100°C)            |
| Humidity Range (%)                                  | 85% or less, non-condensing             |
| Magnet Wire Insulation                              | Class B 266°F (130°C)                   |
| Insulation Resistance                               | 100M Ohm at 500 VCD                     |
| Dielectric Strength                                 | 900 VCD for 1 min.                      |

## WIRING TABLE

| COLOR | FUNCTION  |
|-------|-----------|
| Red   | A+ Phase  |
| Blue  | A- Phase  |
| Green | B + Phase |
| Black | B- Phase  |

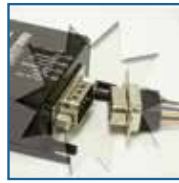
## OPERATION & USAGE TIPS



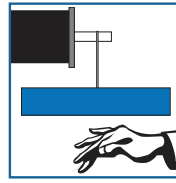
**Do not** disassemble motors; a significant reduction in motor performance will occur.



**Do not** machine shafts; this will have a negative effect on shaft run out and perpendicularity.



**Do not** disconnect motor from drive while in operation.



**Do not** use holding torque/detent torque of motor as a fail safe brake.



**Do not** hold motor by lead wires.



**Do not** exceed the rated current; this will burn the motor.

FAILURE TO COMPLY WITH THESE RECOMMENDATIONS WILL VOID ALL WARRANTY TERMS

## RECOMMENDED



Stepper Driver  
**R701P-RO**



Stepper Driver  
**R725-RO**

# Motion Control, Solved.

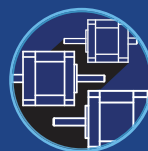
## MOTOR ENGINEERING & MANUFACTURING



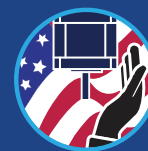
Optimized  
For Your  
Application



Quick  
Prototype  
Turnaround



Small Batch  
to OEM Volume  
Production



US Based  
Support &  
Manufacturing