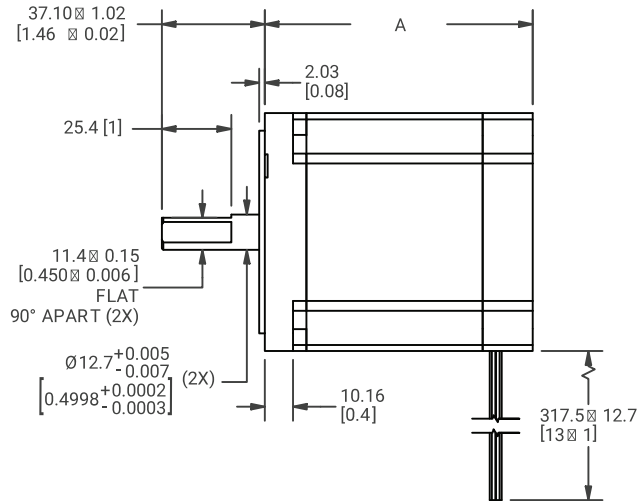
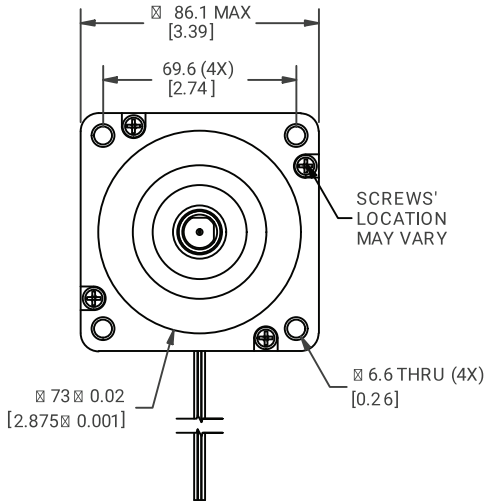


MOTOR SPECIFICATIONS



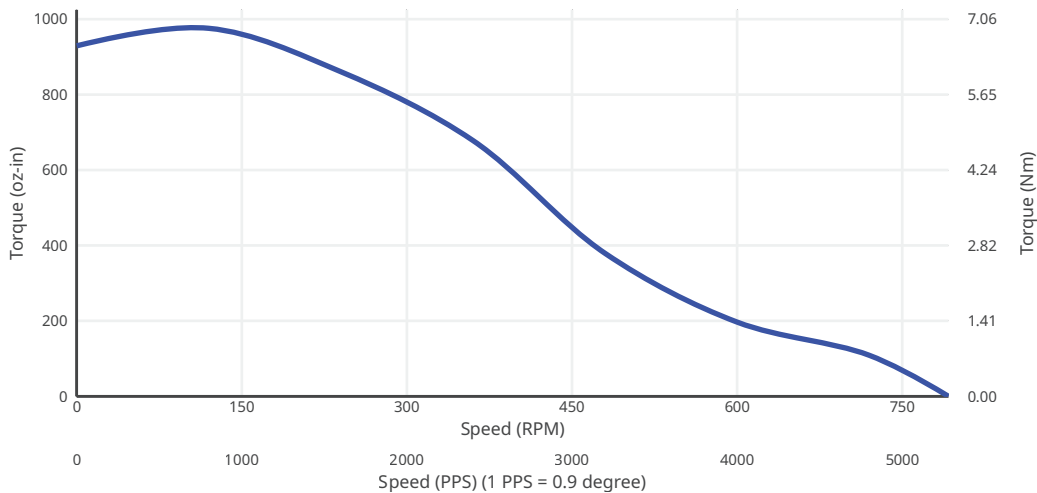
Part Number	WO-8718L-08P
Step Angle	1.8°
Frame Size	3.39 in (86 mm)
"A" Body Length	5.0 in (127.0 mm)
Current (Amps/Phase)	7.7
Holding Torque	1288.67 oz-in (9.1 N-m)
Resistance (Ohms/Phase)	0.3
Rotor Inertia	21.9 oz-in ² (4005 g-cm ²)
Number of Leads	4
Connection	Bipolar
Weight	8.45 lbs (3.83 kg)

DIMENSIONS



PERFORMANCE CURVE

8718L-08P
 48 VDC, 7.7 AMP, 1/2 stepping



OPERATING SPECIFICATIONS

Radial Play	0.001 in @ 1.00 lbs (0.03 mm @ 0.45 kg)
End Play	0.003 in @ 3.00 lbs (0.08 mm @ 1.36 kg)
Shaft Run Out	0.05 TIR (0.002 TIR)
Concentricity of Mounting Pilot to Shaft	0.08 TIR (0.003 TIR)
Perpendicularity of Mounting Pilot to Face	0.08 TIR (0.003 TIR)
Max Radial Load at Dimension "K" from mounting face	39.00 lbs (17.69 kg)
Dimension "K"	0.90 in (22.86 mm)
Max Axial Load	25.00 lbs (11.34 kg)
Maximum Case Temperature	176°F (80°C) Maximum
Ambient Temperature	-4 to 122°F (-20°C to 50°C)
Storage Temperature	-4 to 212°F (-20°C to 100°C)
Humidity Range (%)	85% or less, non-condensing
Magnet Wire Insulation	Class B 266°F (130°C)
Insulation Resistance	100M Ohm at 500 VCD
Dielectric Strength	900 VCD for 1 min.

WIRING TABLE

COLOR	FUNCTION
Red	A+ Phase
Blue	A- Phase
Green	B + Phase
Black	B- Phase

OPERATION & USAGE TIPS



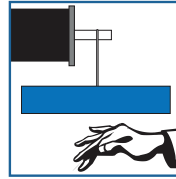
Do not disassemble motors; a significant reduction in motor performance will occur.



Do not machine shafts; this will have a negative effect on shaft run out and perpendicularity.



Do not disconnect motor from drive while in operation.



Do not use holding torque/detent torque of motor as a fail safe brake.



Do not hold motor by lead wires.



Do not exceed the rated current; this will burn the motor.

FAILURE TO COMPLY WITH THESE RECOMMENDATIONS WILL VOID ALL WARRANTY TERMS

Motion Control, **Solved.**

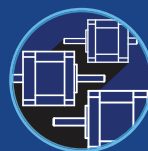
MOTOR ENGINEERING & MANUFACTURING



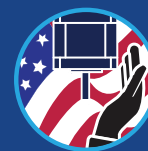
*Optimized
For Your
Application*



*Quick
Prototype
Turnaround*



*Small Batch
to OEM Volume
Production*



*US Based
Support &
Manufacturing*